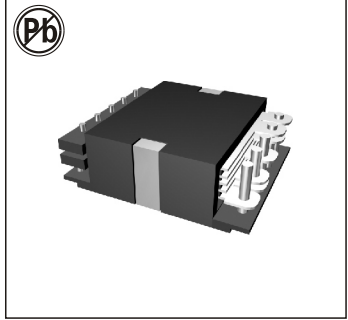


# HIGH FREQUENCY 140W PLANAR TRANSFORMERS TP25F SERIES



## FEATURES:

- Power Rating Up to 140 Watts
- High Efficiency of Over 98%
- High Power Density of 600 Watts Per Cubic Inch
- Footprint 23.5 mm x 20.10 mm
- Lower Profile of 9.12 mm
- High Isolation (operational) 1500 Vdc
- High Frequency 200 kHz–700 kHz
- Operating Temperature –40°C to +125°C

## COMMON APPLICATIONS:

- High performance DC/DC converters.
- High efficiencies up to over 98 percent, high power density of 600 watts per cubic inch DC/DC converters.
- For forward, full–bridge, half–bridge and push–pull DC/DC converters.
- Adding a primary auxiliary winding or a small gap to be have more expanding of configurations.
- Input voltages between 18V and 75V, and output voltages from 52V down to 1.0V DC/DC converters.
- Telecommunications, industrial control systems,
- Automotive and heavy equipment vehicle systems

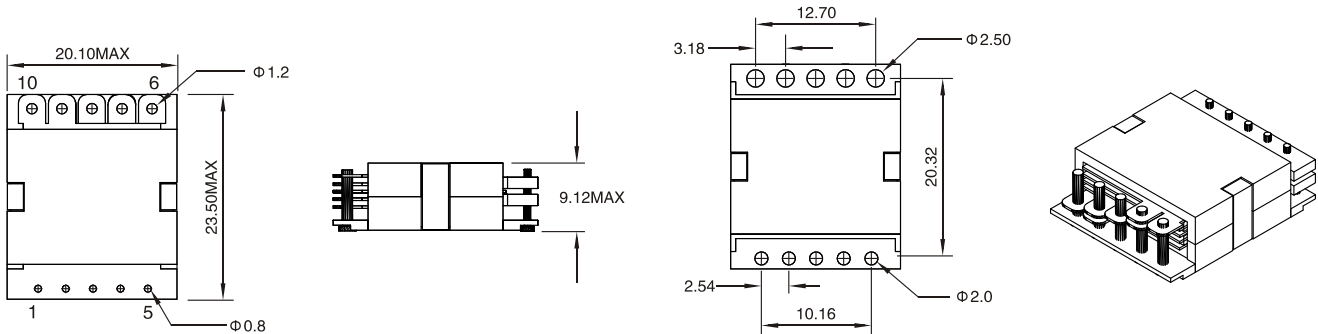
## ELECTRICAL CHARACTERISTICS:

Part Number	Primary Inductance (uH Min)	Leakage Inductance (uH Max)	DC Resistance (mΩ Max)			Secondary	Turns Ratio		Primary Second Hi-Pot	Figure	M. Height
			Primary				(A/B)	Secondary			
			A	B	AUX.						
TP25F0802	161.0	0.43	18.0	18.0	N/A	0.5&0.5	4T/4T	1T&1T	1500VDC	A	9.12mm
TP25F0902	204.0	0.43	18.0	20.0	N/A		4T/5T	1T&1T	1500VDC	A	9.12mm
TP25F1002	252.0	0.45	20.0	20.0	N/A		5T/5T	1T&1T	1500VDC	A	9.12mm
TP25F1102	304.0	0.55	20.0	26.0	N/A		5T/6T	1T&1T	1500VDC	A	9.12mm
TP25F1202	362.0	0.60	26.0	26.0	N/A		6T/6T	1T&1T	1500VDC	A	9.12mm
TP25F0803	161.0	0.43	18.0	18.0	N/A	1.0&1.0	4T/4T	2T&1T	1500VDC	B	9.12mm
TP25F0903	204.0	0.43	18.0	20.0	N/A		4T/5T	2T&1T	1500VDC	B	9.12mm
TP25F1003	252.0	0.45	20.0	20.0	N/A		5T/5T	2T&1T	1500VDC	B	9.12mm
TP25F1103	304.0	0.55	20.0	26.0	N/A		5T/6T	2T&1T	1500VDC	B	9.12mm
TP25F1203	362.0	0.60	26.0	26.0	N/A		6T/6T	2T&1T	1500VDC	B	9.12mm
TP25F0804	161.0	0.43	18.0	18.0	N/A	4.00	4T/4T	(1T:1T:1T:1T)	1500VDC	C	9.12mm
TP25F0904	204.0	0.43	18.0	20.0	N/A		4T/5T		1500VDC	C	9.12mm
TP25F1004	252.0	0.45	20.0	20.0	N/A		5T/5T		1500VDC	C	9.12mm
TP25F1104	304.0	0.55	20.0	26.0	N/A		5T/6T		1500VDC	C	9.12mm
TP25F1204	362.0	0.60	26.0	26.0	N/A		6T/6T		1500VDC	C	9.12mm

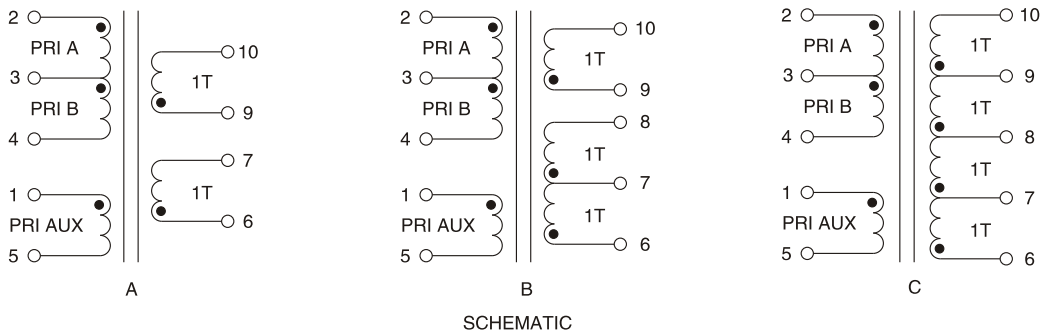
## TECHNICAL INFORMATION

1. The inductance is measured on HP4284 between pins 2 – 4 at 100 kHz, 100 mVrms, 0 Adc.
2. The leakage inductance is measured between pins 2 – 4 with all other winding shorted.
3. All specifications typical at TA=25°C.

## PHYSICAL CHARACTERISTICS



### SUGGESTED PAD LAY-OUT



Note: All specifications subject to change without notice.